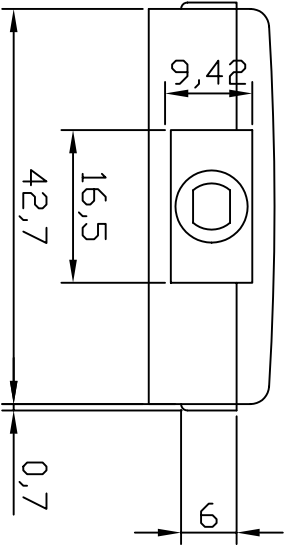
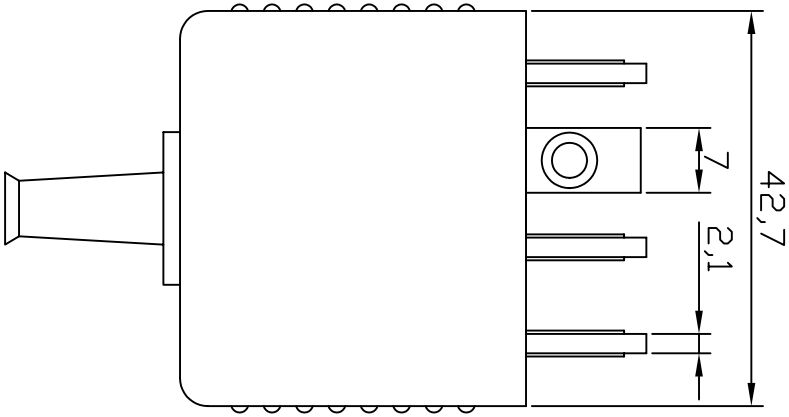
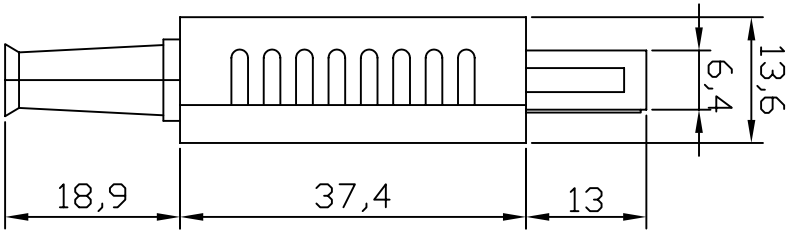
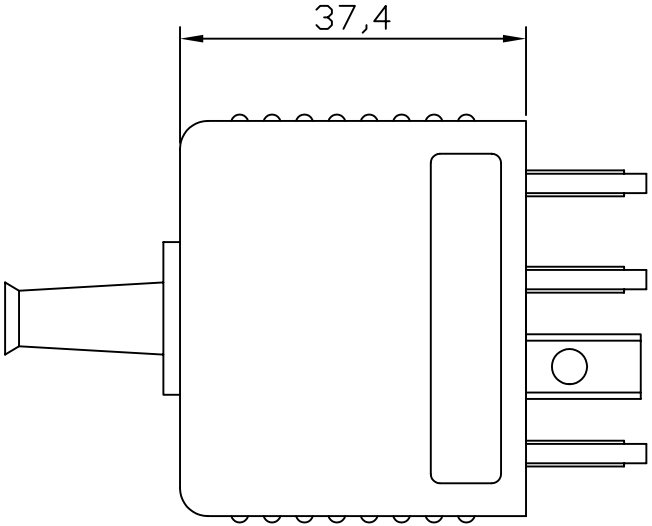
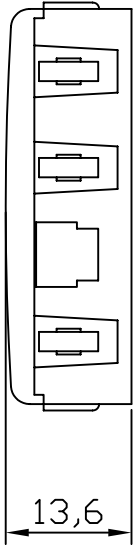


| REVISIONS | | DATE |
|-----------|-------------|------|
| REV | DESCRIPTION | |



| | | | | | |
|-----------------------------|--|------------------------------|--|---|--|
| DRAWN BY Dengyumo | | DEPARTMENT ENGINEERING(M) | | APPROVALS | |
| DATE 16-01-2003 | | SCALE 1:1 | | REV 00 | |
| PART NAME AUSTRALIA PLUG | | PART NUMBER TP-0213-10 | | DATAFIELD ELECTRIC WIRE (DONGGUAN)CO.LTD. | |

IMP. THIS IS A COMPUTER GENERATED FILE. PLEASE DO NOT REMOVE ANY INFORMATION.

FILE: JH01-70