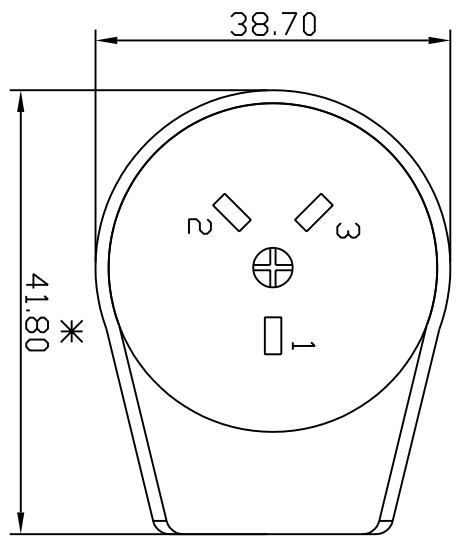
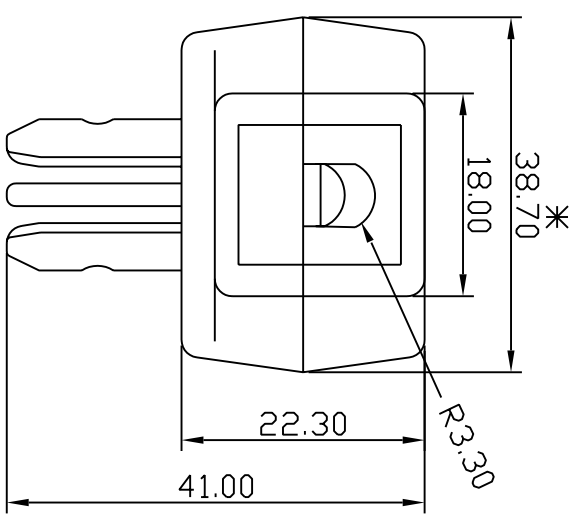
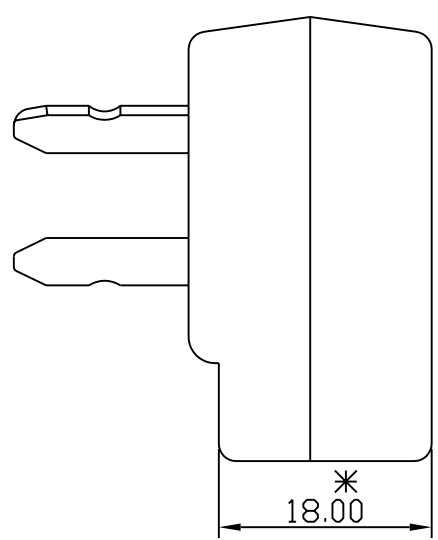
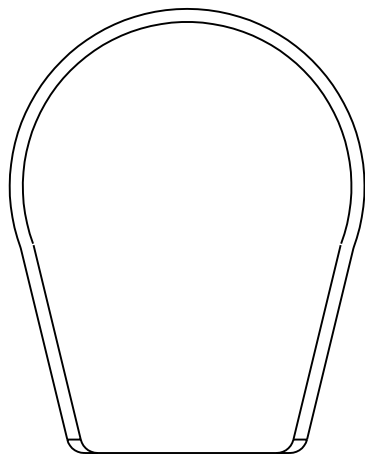


REVISIONS		
REV	DESCRIPTION	DATE
01	ADDED "*"	06/04/02



Note :

1. "\*" Measurement Require at IQC.

DATAFIELD ELECTRIC WIRE (DONGGUAN)CO.LTD.		
PART NAME FINLAND/NORWAY PLUG		
PART NUMBER TP-0069-90		
DRAWN BY KATHY. ZHANG	DEPARTMENT ENGINEERING(M)	APPROVALS
DATE 2000-9-26	SCALE NDT TO SCALE	REV 01

