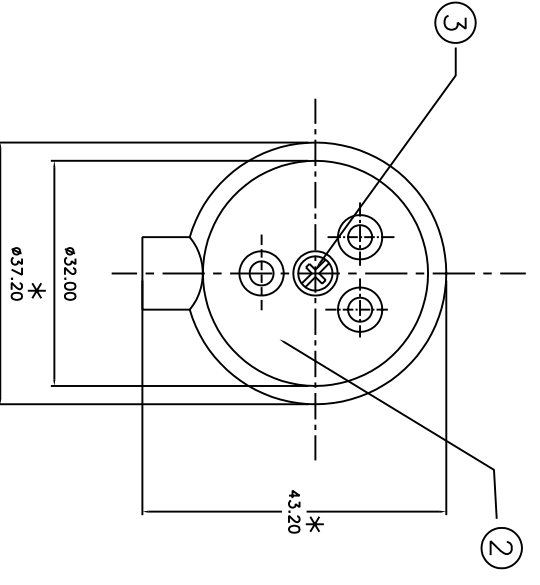
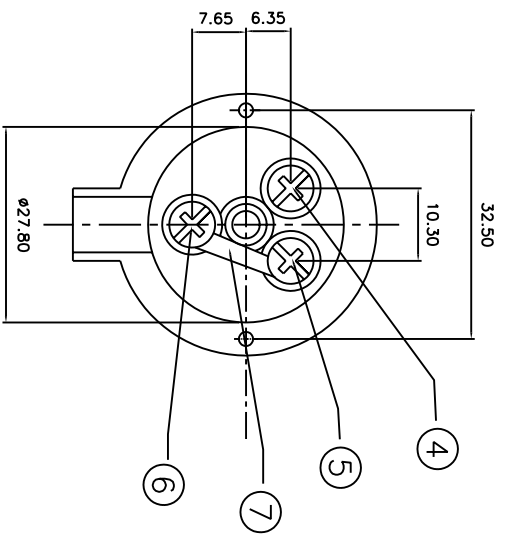
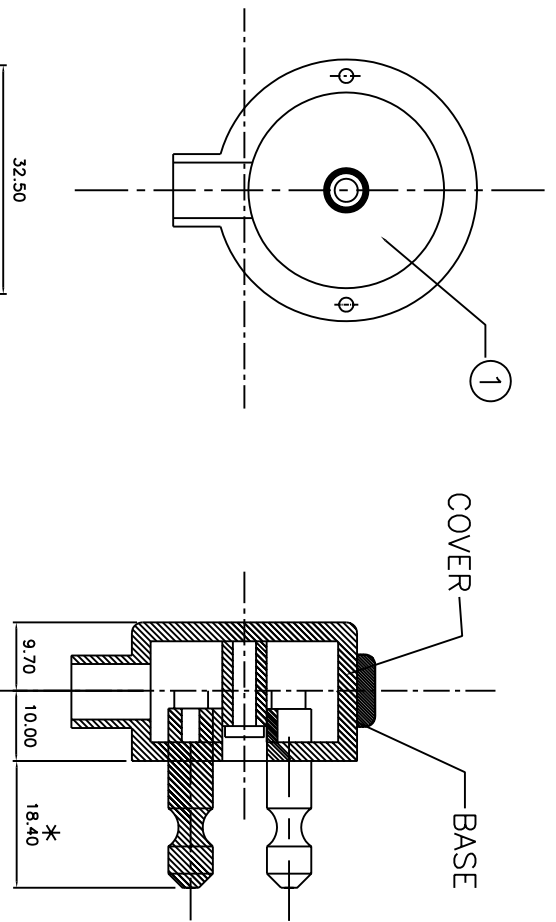


REVISIONS		DATE
REV	DESCRIPTION	
01	CHANGE HOLLAND PLUG FABRIC	02/09/99
02	ADDED "*" *	06/04/02



Note :

- "*" Measurement Require at IQC.

DATAFIELD ELECTRIC WIRE (DONGGUAN)CO.LTD.		REVISIONS	
PART NAME ITALY PLUG (TYPE 1)		DESCRIPTION	DATE
PART NUMBER TP-0061-90			
DRAWN BY LENA LIN	DEPARTMENT ENGINEERING(M)	APPROVALS	
DATE 2000.6.26	SCALE NDT TO SCALE	REV 02	

NOTE: THIS IS A COMPUTER GENERATED DWG. PLEASE DO NOT REWIND MANUALLY.