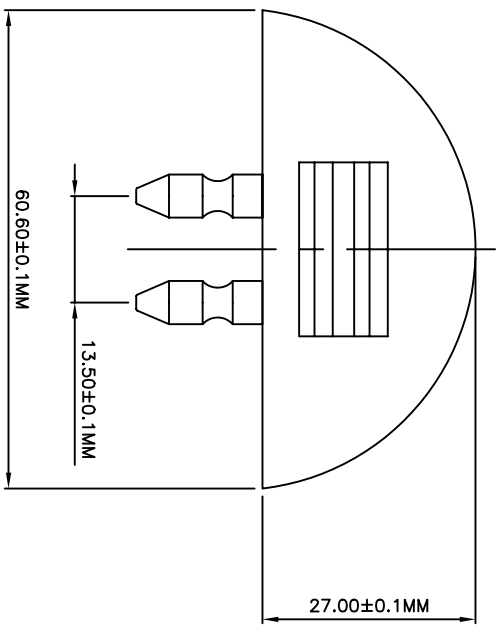
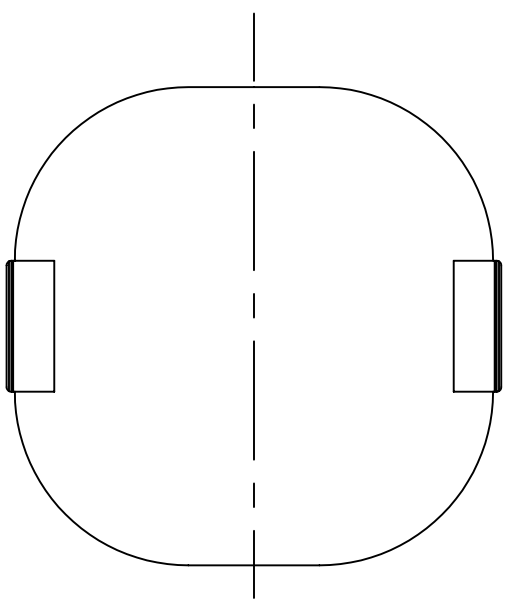
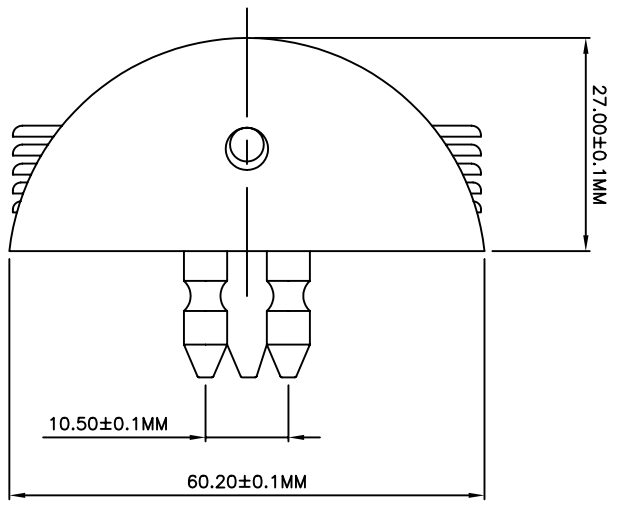
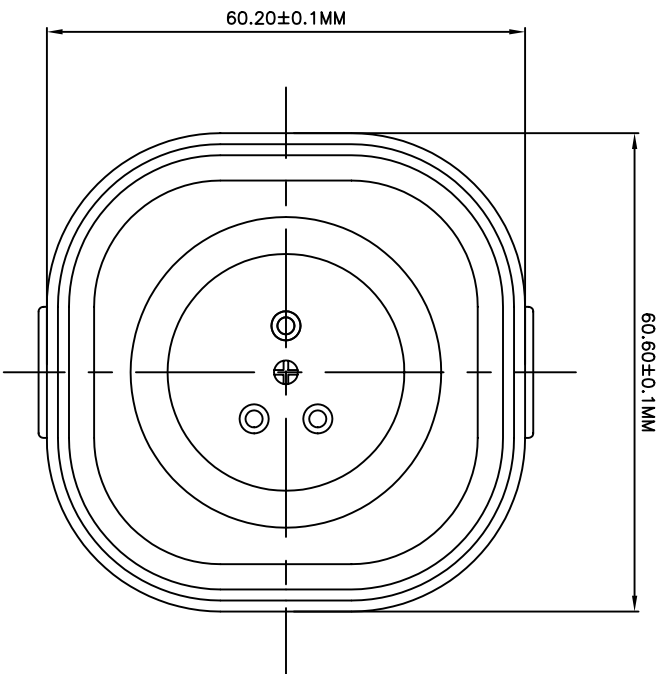


REV	REVISIONS	DESCRIPTION	DATE



1. Contact Material : Brass
2. Plating: Nickel
3. Housing Material: ABS

DATAFIELD ELECTRIC WIRE (DONGGUAN)CO.LTD.		PART NAME		ITALY PLUG (TYPE 2)	
PART NUMBER		TP-0221-10		REV 00	
DRAWN BY	DEPARTMENT	SCALE		APPROVALS	
Kathyzhang	ENGINEERING(MD)				
DATE	SCALE	NDT TD SCALE			
2003-2-10					

