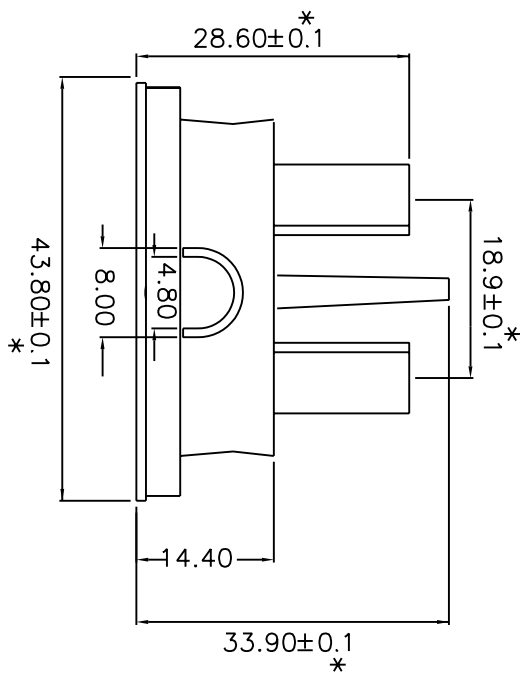
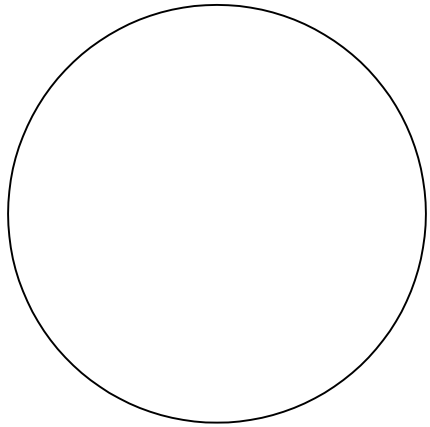
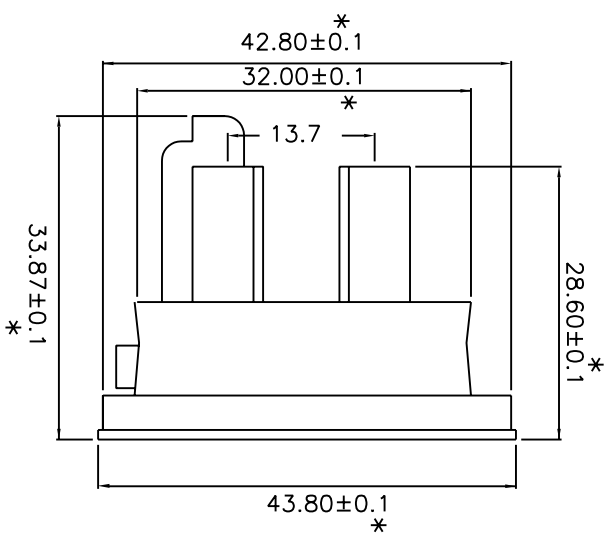
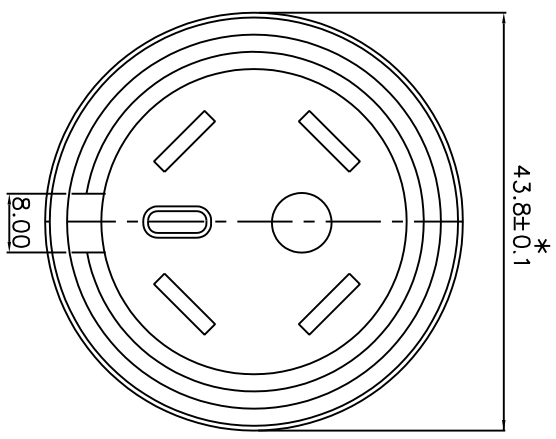


REVISIONS		DATE
REV	DESCRIPTION	



Note :

1. "\*" Measurement Require at IQC.

DATAFIELD ELECTRIC WIRE (DONGGUAN)CO.LTD.			APPROVALS
PART NAME SWEDEN PLUG (TYPE 1)			REV 00
PART NUMBER TP-0177-90			
DRAWN BY KATHY ZHANG	DEPARTMENT ENGINEERING(M)		
DATE 2002-7-15	SCALE NOT TO SCALE		