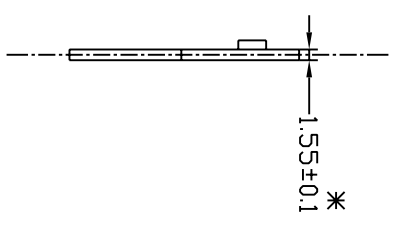
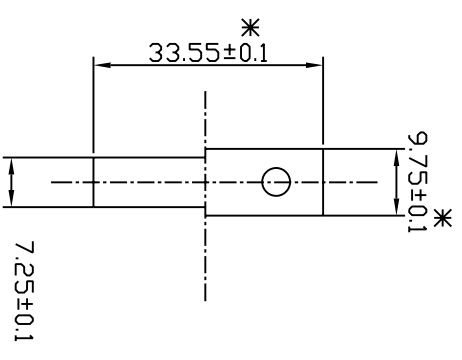
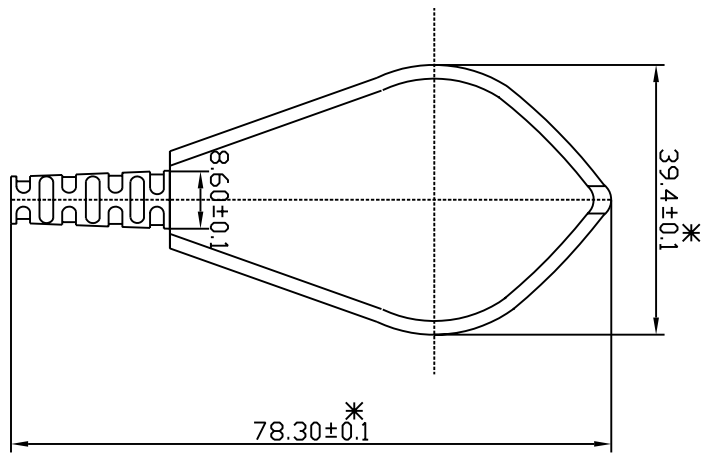
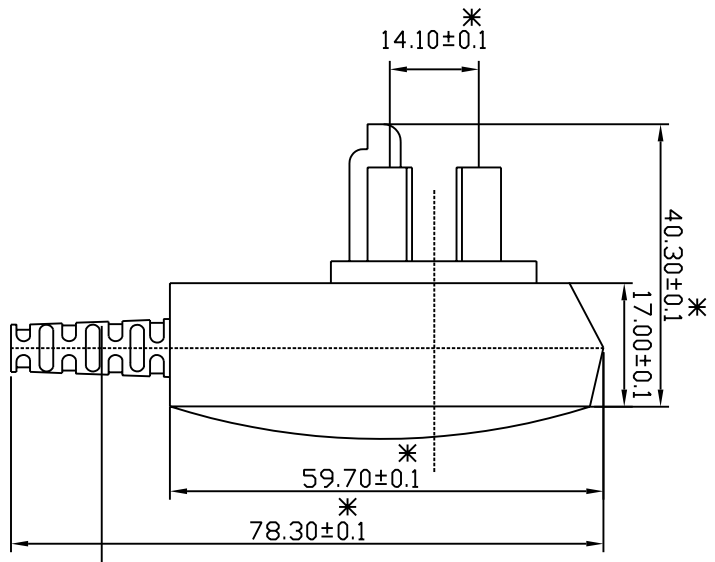
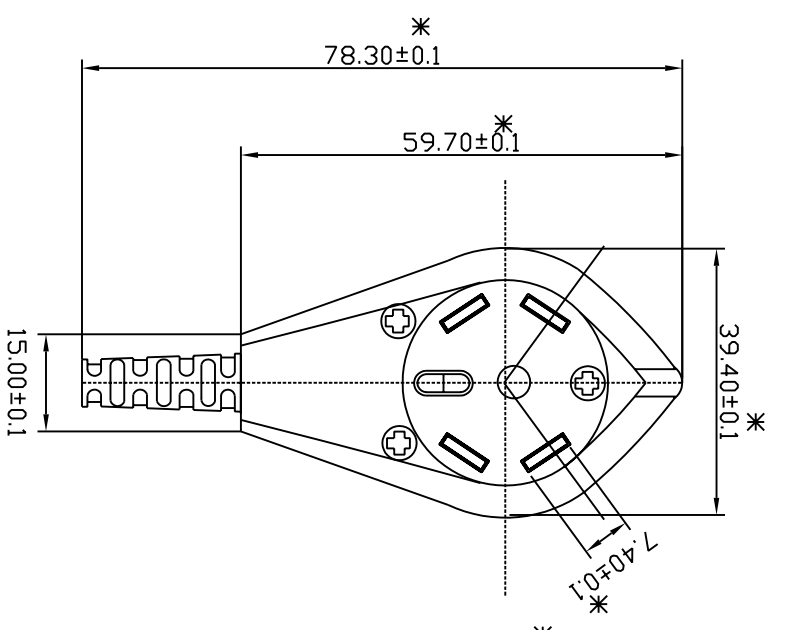


| REV | REVISIONS | DESCRIPTION | DATE |
|-----|-----------|-------------|------|
| | | | |



CONTACT

Note :

1. "*" Measurement Require at IQC.

| | | |
|-------------------------------------------|----------------|-----------|
| DATAFIELD ELECTRIC WIRE (DONGGUAN)CO.LTD. | | |
| PART NAME SWEDEN PLUG (TYPE 2) | | |
| PART NUMBER | TP-0153-90 | REV 00 |
| DRAWN BY | DEPARTMENT | APPROVALS |
| KATHY ZHANG | ENGINEERING(M) | |
| DATE | SCALE | |
| 2002.5.24 | NOT TO SCALE | |

