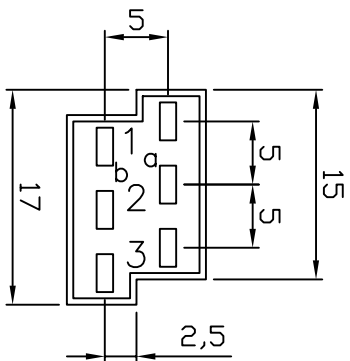
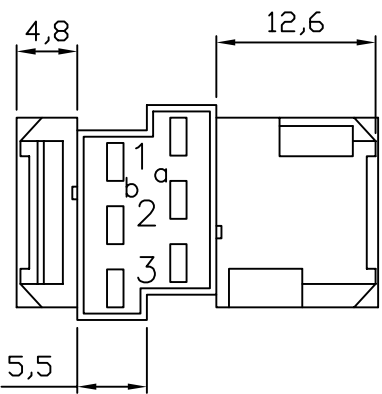
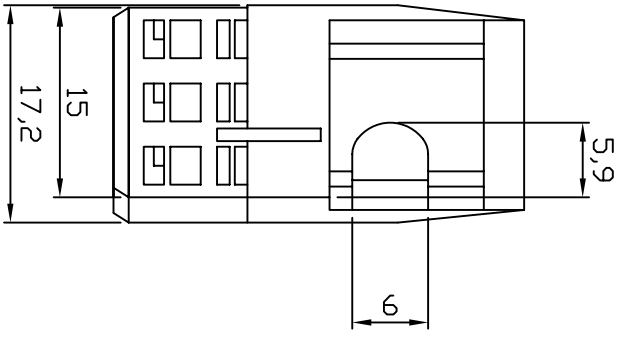
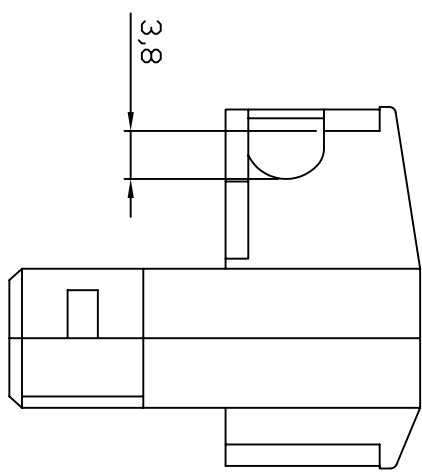
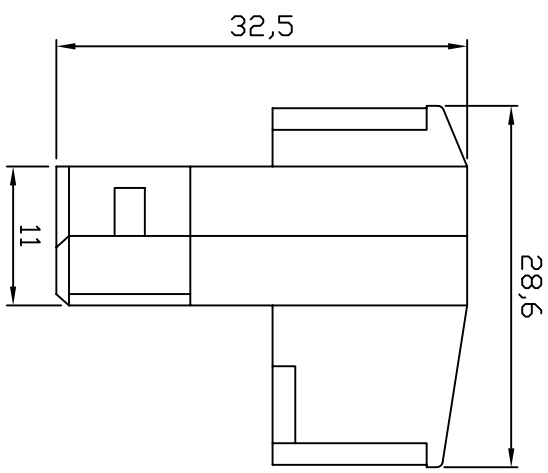
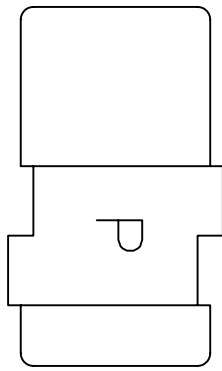


REVISIONS	
REV	DATE



DATAFIELD ELECTRIC WIRE (DONGGUAN)CO.LTD.
 PART NAME SWITZERLAND PLUG

PART NUMBER TP-0218-90 REV 00

DRAWN BY Dengyumo	DEPARTMENT ENGINEERING(M)	APPROVALS
DATE 2003-01-11	SCALE NDT TD SCALE	

