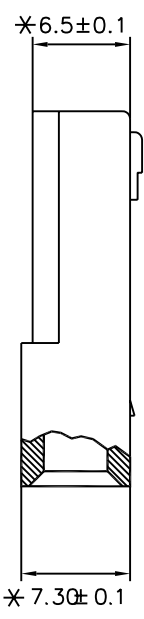
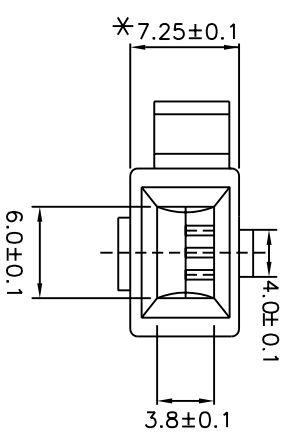
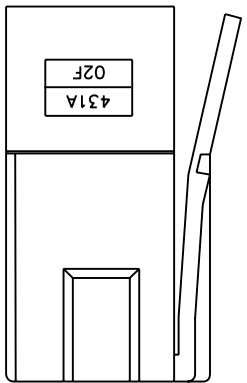
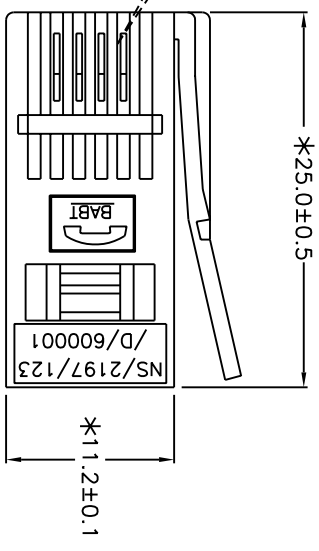
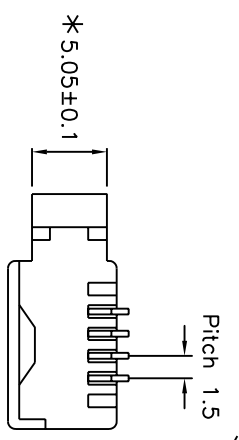
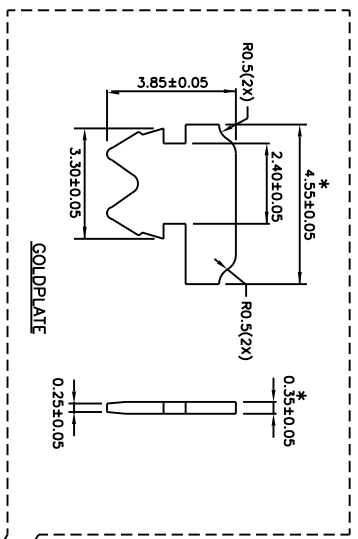


REVISIONS		DATE
REV	DESCRIPTION	DATE



Specification :

1. Housing : Thermoplastic Polyester
2. Colour : Ivory
3. Contact Material : Phosphor Bronze
4. Plating : 3u", 6u" 15u" 30u" 50u" Gold Plating
5. Cable To Plug Tensile Strength : 8.16kg (Min)

Note :

- Unless otherwise specified, All dimensions are in mm.
- General tolerance is ±0.2mm
- This BT plug is recommended for cable size 2.3 x 5.0
- "*" Measurement Require at IQC.

DATAFIELD ELECTRIC WIRE (DONGGUAN)CO.LTD.		
PART NUMBER	BABT (431A) PLUG	REV 00
DRAWN BY	ENGINEERING(M)	APPROVALS
KATHY ZHANG		
DATE	SCALE	
2002-04-08	NDT TD SCALE	

